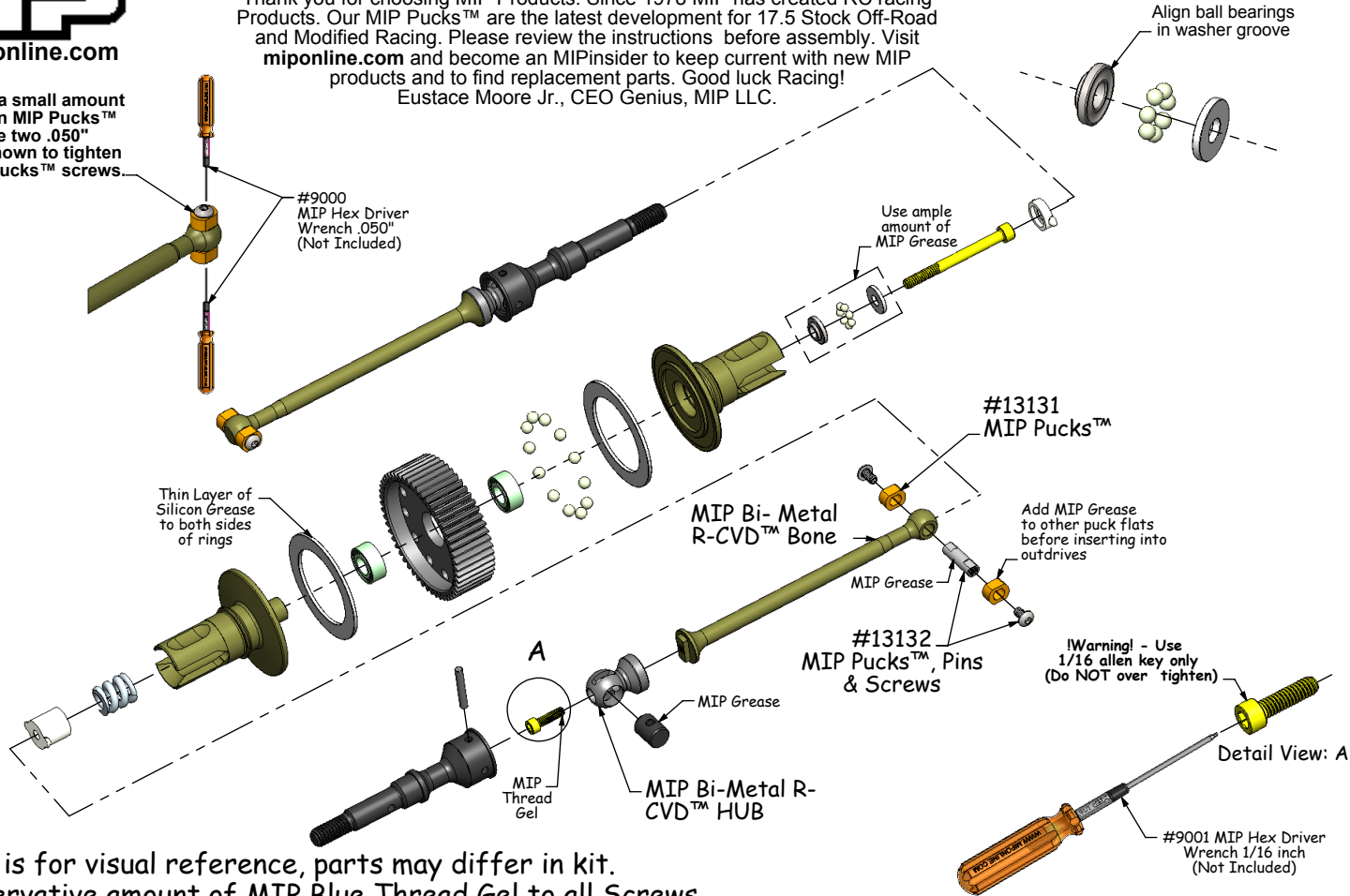




MIP Pucks™, General R-CVD™ Assembly

Thank you for choosing MIP Products. Since 1978 MIP has created RC racing Products. Our MIP Pucks™ are the latest development for 17.5 Stock Off-Road and Modified Racing. Please review the instructions before assembly. Visit miponline.com and become an MIPinsider to keep current with new MIP products and to find replacement parts. Good luck Racing!
Eustace Moore Jr., CEO Genius, MIP LLC.

!Warning! Use a small amount of thread gel on MIP Pucks™ screws. Use two .050" wrenches as shown to tighten or loosen MIP Pucks™ screws.



- Assembly is for visual reference, parts may differ in kit.
- Add conservative amount of MIP Blue Thread Gel to all Screws



Tech Notes:

Just a reminder, MIP Pucks™ (Bushings/Pins) are replaceable, so simply replace the Pucks™ as needed, it varies from car to car.
!Warning! Replace MIP Pucks™ timely to avoid failures that will destroy the outdrives.

(MIP has included a complimentary set of Pucks™ and two #1-72x1/8" screws)

P/N: Support Parts & Tools:

#5115 MIP Stickee™ (8), 1/8th & 1/10th

#5120 MIP Wrench Wraps, Metric Set

#5130 MIP Wrench Wraps, SAE Set

#8117 MIP MXT-1 Servo Tape

#9501 MIP Hex Driver Wrench Set, SAE Standard (4)

#9502 MIP Hex Driver Wrench Set, Metric (3)

#9511 MIP Speed Tip™ Hex Driver Wrench Insert Set, SAE Standard

#9512 MIP Speed Tip™ Hex Driver Wrench Insert Set, Metric

#13131 MIP Pucks™, Orange No.1 Pucks (8)

#13132 MIP Pucks, No.1 Pins & Screws (2)

#99064 HW-BHCS, 1-72 x 1/8"(6)

#99078 HW-SHCS, 1-72 x 1/4" Cap Head Screw (6)

©2014

Moore's Ideal Products, LLC
830 W. Golden Grove Way
Covina, CA 91722